



The DH3T load cell is ideally suited to harsh offshore environments, where accuracy, reliability and environmental sealing are at a premium. The DH3T telemetry unit not only carries on this tradition, but also adds resolution of 1 in 100,000 and wireless signal transfer up to 200m.

- **Accurate and reliable**
- **Up to ten units can operate in one area**
- **IP66 'O' ring sealing**
- **Wireless signal transfer up to 200 metres**
- **Internal calibration figure retention**

Our well proven use of high strength to weight ratio materials allow the production of easy to handle, high safety factor units. Capacities available start from 5000Kg to up to 400,000 Kg.

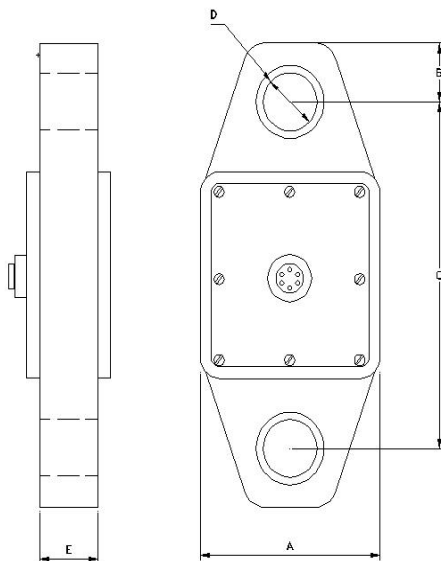
The DH3 remote handset offers:

- Ability to monitor 4 separate units of measurement
- Display peak
- High resolution, easy to read display
- Up to 10 units in one area
- RS232 output (optional)
- Easy to replace disposable battery power



Typical Specification

Rated Load	5 to 400 tonne
Proof Load	200% of rated load up to 25 tonne x 1.22+ 20 above 25 tonne
Ultimate Load	500% of rated load
Zero Balance	< +/- 0.05%
Bridge Resistance	700 ohm
Insulation Resistance	10G Ohm @ 100V
Accuracy	< +/- 0.2%*
Non-Repeatability	< +/- 0.05%
Operating Temperature	-20 to +60 °C
Compensated Temperature	0 to 60°C
Environmental Protection	IP66
Output (optional)	RS232
Telemetry Output (optional)	433 Mhz



Radio telemetry system allows monitoring of load in awkward applications where twisting of the primary sensor is possible - avoiding cable damage and loss of measurement

Load Capacity (Tonne)	A		B		C		D		E		Shackle Size (Tonne)	Approx Weight (Kgs)
	MM	INCH	MM	INCH	MM	INCH	MM	INCH	MM	INCH		
5	130	5.118	32.5	1.28	243	9.567	27	1.063	32	1.26	6.5	3.0
12.5	130	5.118	44	1.732	256	10.086	40	1.576	50	1.97	13.5	4.5
25	136	5.122	70	2.758	290	11.426	55	2.167	61	2.421	25	6.5
35	138	5.433	65	2.561	310	12.214	62	2.443	70	2.758	35	11
50	170	6.698	88	3.467	304	11.978	75	2.955	85	3.349	55	16
75	180	7.092	98	3.861	304	11.978	85	3.349	100	3.940	85	17
100	188	7.407	100	3.940	404	15.918	100	3.940	120	4.728	120	28
150	248	9.771	130	5.122	420	16.548	120	4.728	130	5.122	150	36
200	292	11.496	174	6.85	412	16.220	130	5.118	150	5.906	200	70
250	340	13.386	190	7.48	440	17.323	145	5.709	150	5.906	250	100
300	405	15.94	202.5	7.97	595	23.425	160	6.299	150	5.906	300	148
400	405	15.94	202.5	7.97	595	23.425	180	7.087	150	5.906	400	148

Sizes shown are a guide only. Please confirm any critical dimensions at time of order.

*As calibrated in a BS1610 grade 1 test machine, traceable to National Standards

Due to continuous development, Scotload reserve the right to change specification without notice.