



The Visilink load cell is ideally suited to harsh offshore environments, where accuracy, reliability and environmental sealing are at a premium. The Visilink not only carries on this tradition, but adds resolution of 1 in 100,000 switchable units of measurement. Logging output and peak hold as standard.

- **High safety factor**
- **High resolution**
- **IP66 'O' ring sealing**
- **Logging output idea for data collection via logging package**
- **Optional remote readout with all measurement features of Visilink**
- **Robust transit cases for storage and transit**

Our well proven use of high strength to weight ratio materials allow the production of easy to handle, high safety factor units. The Visilink also has the option of adding telemetry signal transfer to a remote DH3T handset with a range of 200 metres. Capacities available start from 5000Kg to up to 100,000Kg.

#### The DH3 telemetry handset offers:

- Peak display
- Ability to monitor 4 separate units of measurement
- High resolution, easy to read display
- Up to 10 units in one area
- Easy to replace disposable battery power

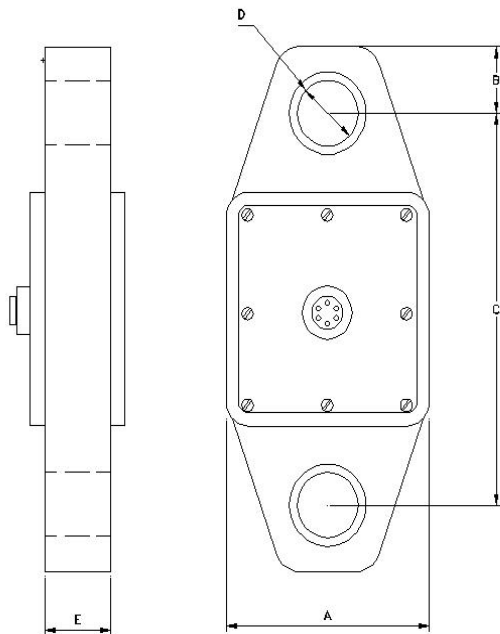
#### The DH3 remote handset offers:

- Full 6 digit display
- Ability to monitor 4 separate units of measurement
- Display hold
- Push button tare
- RS232 output
- Easy to replace disposable battery pack
- IP65 sealing

### Typical Specification

Rated Load	5 to 100 tonne
Proof Load	200% of rated load up to 25 tonne x 1.22+ 20 above 25 tonne
Ultimate Load	500% of rated load
Zero Balance	< +/- 0.05%
Bridge Resistance	700 ohm
Insulation Resistance	10G Ohm @ 100V
Accuracy	< +/- 0.2% *
Non-Repeatability	< +/- 0.05%
Operating Temperature	-20 to +60 °C
Compensated Temperature	0 to 60°C
Environmental Protection	IP66
Output (optional)	RS232
Telemetry Output (optional)	433 MHz

\*As calibrated in a BS1610 grade 1 test machine, traceable to National Standards



Load Capacity (Tonne)	A		B		C		D		E		Shackle Size (Tonne)	Approx Weight (Kgs)
	MM	INCH	MM	INCH	MM	INCH	MM	INCH	MM	INCH		
5	130	5.118	32.5	1.28	243	9.567	27	1.063	32	1.26	6.5	3.0
12.5	130	5.118	44	1.732	256	10.086	40	1.576	50	1.97	13.5	4.5
25	136	5.122	70	2.758	290	11.426	55	2.167	61	2.421	25	6.5
35	138	5.433	65	2.561	310	12.214	62	2.443	70	2.758	35	11
50	170	6.698	88	3.467	304	11.978	75	2.955	85	3.349	55	16
75	180	7.092	98	3.861	304	11.978	85	3.349	100	3.940	85	17
100	188	7.407	100	3.94	404	15.918	100	3.94	120	4.728	120	28

Sizes shown are a guide only. Please confirm any critical dimensions at time of order.

Due to continuous development, Scotload reserve the right to change specification without notice.