

Static line monitor | Available with SmartLoad® technology



V1.0



Scotload's static line monitors are ideal for use in harsh environments where a fixed means of measurement is impractical.

Manufactured from high tensile aluminium or stainless steel, our static line monitors can be customised to suit various rope sizes. They provide accurate readings to ensure that loads remain within safe working limits.

We have a range of stock available for purchase or hire, ready for immediate dispatch, as well as a popular in-house calibration service up to 100 tonnes, traceable to national standards.

Options

- Available with SmartLoad® technology
- Cabled or wireless
- Hazardous area Zone 1 and 2
- Aluminium or stainless steel construction

Features and benefits

- Easy to transport
- Robust construction
- Simple to use

Typical specifications	mA output	External wireless interface
Rated load	As required	
Proof load	200% of rated load (dependent on rope capacity)	
Rope diameter	22mm to 50mm	
Operating temperature	-20°C to +60°C	
Storage temperature	-30°C to +80°C	
Environmental protection	IP67	IP66
Output signal	4-20mA	Wireless
Electrical connection	2 or 3 wire	N/A
Cable connection	Gland and connector	N/A
Cable length	5m as standard	N/A
Recommended supply voltage	24V	N/A
Maximum supply voltage	30V	N/A
Data logging	N/A	In interface
Battery type	N/A	3 x D
Active battery life	N/A	Up to 500 hours
Standby battery life	N/A	Up to 1700 hours
Telemetry frequency	N/A	2.4Ghz ISM
System range	N/A	Up to 350m
Sampling rate	N/A	10Hz (500Hz max)



SmartLoad® line monitors are available for use in hazardous area Zones 1 and 2



Due to continuous development, Scotload reserves the right to change specifications without notice.

Scotload

Telephone: +44 (0) 1224 877007

Email: info@scotload.com

www.scotload.com

A part of

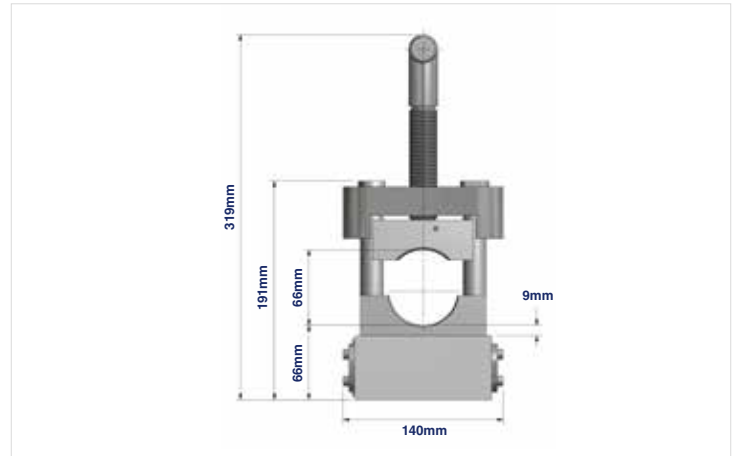
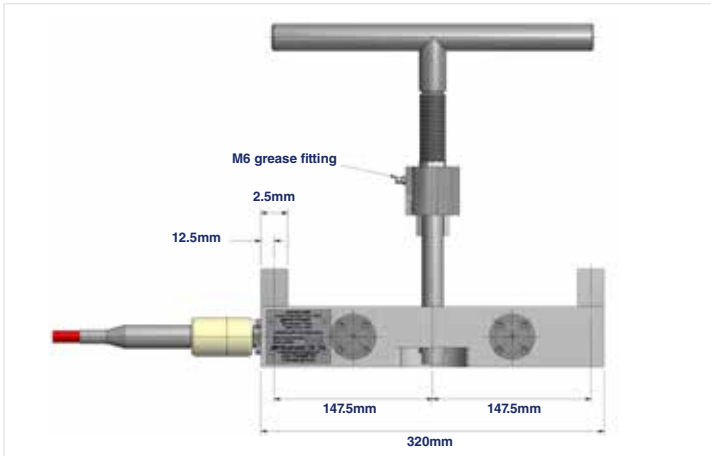
James Fisher and Sons plc

Marine Services Worldwide



Static line monitor typical dimensions

Static line monitor



A revolution in load measurement

SmartLoad®

Scotload's ground-breaking SmartLoad® monitoring technology provides users with total system control and flexibility.

SmartLoad® uniquely incorporates intelligence and memory directly on the load cell itself, increasing functionality while enhancing the efficiency and safety of your lifting operations.

SmartLoad® delivers a standard technology platform for use across a range of products. Requiring only one handset to connect links, shackles and other load cells, it reduces operational costs. Fully compatible with existing equipment, SmartLoad® can also be retrofitted, removing the need for expensive full system upgrades.

Utilising the latest wireless technology for increased range and improved signal reliability, SmartLoad® provides assurance, improves data accuracy and enhances workplace safety as well as reducing downtime.



Features and benefits of SmartLoad®:

- **Logging function** controlled from handset - no need for on-site laptop
- **Safety assurance** - automated overload monitoring
- Uniquely incorporates intelligence on load cells and handsets giving **total system control and flexibility**
- Significantly **increased range** and **signal reliability** over existing industry standard technology
- No training required - simple **'plug-and-play'** system
- No pairing required - **'select and connect'** technology
- Avoids downtime and unnecessary wastage - built in **system redundancy**
- Easily integrated with existing monitoring systems

We are always happy to help find the appropriate, tailored solutions for your business needs. If you have any requests or suggestions please do not hesitate to contact us.